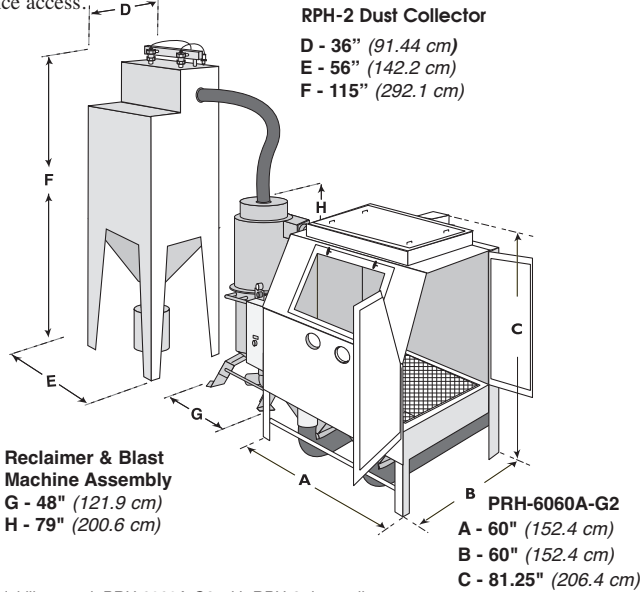




# S P E C I F I C A T I O N S

## COMPLETE SYSTEM

Actual space required depends on equipment configurations, options and desired work flow. Allow additional work space for operator and maintenance access.



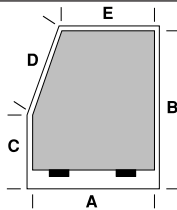
Model illustrated: PRH 6060A-G2 with RPH-2 dust collector

## CABINET

### Working Chamber Size

|           |                       |
|-----------|-----------------------|
| PRH 6060A | 58" wide (147.3 cm)   |
|           | 58.5" deep (148.6 cm) |
|           | 53" high (134.6 cm)   |

### Door Opening



#### PRH6060A-G2

|   |                  |
|---|------------------|
| A | 55.5" (140.9 cm) |
| B | 52.5" (133.3 cm) |
| C | 27" (68.58 cm)   |
| D | 27" (68.58 cm)   |
| E | 46" (116.8 cm)   |

### Window Size (safety glass)

|                    |
|--------------------|
| 30" wide (76.2 cm) |
| 20" high (50.8 cm) |

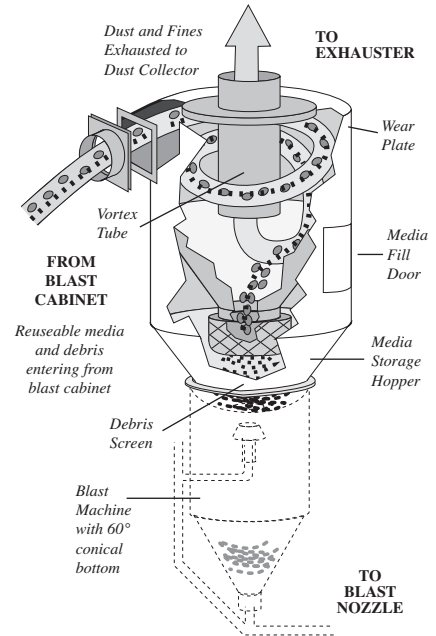
## RPH DUST COLLECTOR

The RPH-2 has two cartridges which provide 470 sq ft of filter area plus a built-in hopper to minimize dust-handling. Reverse pulse dust collectors (which trap 99.7% of dust down to 0.5 micron) allow non-stop, high-production blasting. At each pulse, dust falls first into the hopper and then into a disposal drum or bag beneath it. The operator never handles the dust—an important safety feature. RPH dust collector dimensions are: 36" wide (with motor housing) by 36" deep by 115" high. The RPH is designed to allow outdoor installation.

## BLAST/ RECLAIM SYSTEM

Our exclusive media reclaimers continuously extract dust and debris and return usable media to the blast system.

The reclaimer, mounted atop the pressure vessel, automatically refills the blast system with clean, recycled media.



## NOZZLES

### AIR REQUIREMENTS

| NOZZLE | NOZZLE ORIFICE | CFM at 50 PSI | M <sup>3</sup> /Min at 3,5 BAR |
|--------|----------------|---------------|--------------------------------|
| No. 4  | 1/4"           | 47            | 1,31                           |
| No. 5  | 5/16"          | 77            | 2,16*                          |
| No. 6  | 3/8"           | 108           | 3,0                            |

\* PRH 6060A-G2 is furnished with a TYP-5 tungsten carbide nozzle.

## ELECTRICAL

900 CFM (25 m<sup>3</sup>/m) 2HP, 230/460V, 3PH, 60HZ. Other motors and electrical configurations (such as 50HZ) are available to make your system compatible with local power systems. Consult your local distributor.

## ORDERING INFORMATION

| Model Number  | Reclaim CFM (m <sup>3</sup> /m) | Dust Collector | Stock No. | Ship Wt. lb (kg) |
|---|---------------------------------|----------------|-----------|------------------|
| PRH 6060A-G2-900 RPH                                      | 900 (25)                        | RPH-2          | 25491     | 3,424 (1556)     |
| Optional 30" turntable/work car & track, (500 # capacity) |                                 |                | 12524     | 500 (227)        |

Distributor:

Authorized Distributor:



**Fortune Metal Finishing Corp.**  
 116 Gould Street  
 Needham Heights, MA 02494  
 866.449.4160  
 sales@fortunemetal.com

ISO 9001 certified. Clemco is committed to continuous product improvement. Specifications are subject to change without notice.

© 2014 Clemco Industries Corp. • Washington, MO 63090 • 636 239-4300 • FAX 800 726-7559