



BNP 220 Pressure Blast Cabinet



Ergonomic Model BNP 220 PE

**Clean
Peen
Deburr
Finish**

Model BNP 220P-900 CDC-1

For tough cleaning jobs, pressure blasting delivers higher abrasive velocity for greater impact intensity, compared to suction blasting, and can increase your production rate by as much as 300 percent. Available in conventional and ergonomic sit-down styles.



Tungsten Carbide Blast Nozzle

The standard No. 3 tungsten carbide nozzle is perfect for most blasting, while the optional boron carbide nozzles stand up to hundreds of hours of blasting with aluminum oxide or other aggressive abrasives.

Common Applications

- Remove rust, mill scale, heat scale, and carbon buildup from metals
- Strip paint, powder coating, plating, and anodizing from parts for rework
- Eliminate burrs, parting lines, flashings, and other defects from castings and injection-molded parts
- Extract residual sand from castings
- Beautify steel, stainless steel, aluminum, brass and other metals with a uniform matte finish
- Etch artwork and lettering into glass, stone, plastics, metal and other materials
- Clean release agents and material buildup from molds

BNP 220 Pressure Cabinets Feature:

Safety

- ✓ Full-length, neoprene-on-fabric gloves resist wear and protect operator.
- ✓ Ceiling-mounted, two-tube fluorescent light fixture with abrasive resistant Lexan® cover for extraordinary visibility.
- ✓ Safety interlocks interrupt blasting if either door is opened.
- ✓ Adjustable, heavy-duty chromed latches seal doors tight through years of service.

Productivity

- ✓ High efficiency, 2.0 cubic foot capacity, ASME-coded pressure vessel, fitted with 1" ID piping, industrial-quality blast hose and couplings, and cabinet integrated controls.
- ✓ Unique Air Logic system (pilot actuated) to maximize air flow to the nozzle.
- ✓ Double-wall, sound-insulated doors, with industrial-quality lift-off hinges.
- ✓ 14-gauge steel all-welded construction, with precisely formed bends, forms a rigid, long-lasting cabinet shell.

Convenience

- ✓ Tilt-out window, for tool-free glass changes in minutes.
- ✓ Pressure regulator, gauge, and electric switch mounted within easy reach.
- ✓ Built-in blow-off gun helps keep dust inside the cabinet, not on your floor.

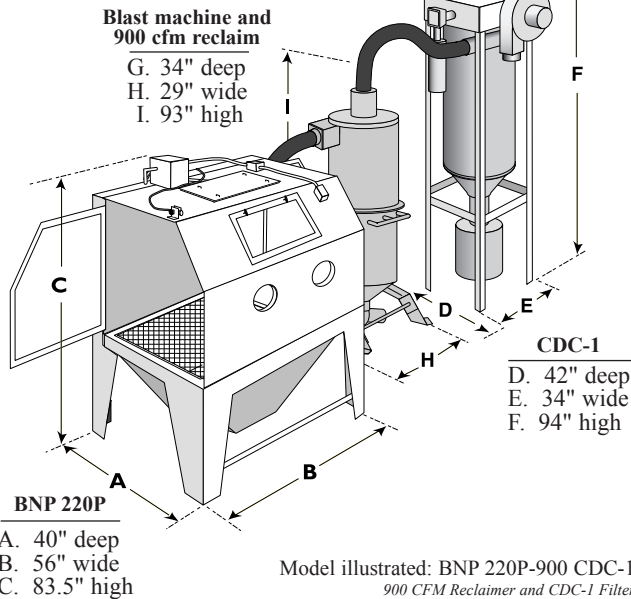
Popular Accessories

- A-300 automation kit
- Adjustable gun mount
- Adjustable vortex tube
- Air-powered vertical lift door
- Alox Kit (for harsh media)
- Anti-fatigue mat
- Armrest assembly
- Curtains (black or white)
- HEPA filter
- ManometerKit
- Noise reduction arm port baffles
- Timed door release
- 20" and 30" dia. turntables with or without work car and 8 foot track assembly

S P E C I F I C A T I O N S

COMPLETE SYSTEM

Space required depends on configurations, options and work flow. Allow space for operator and maintenance access. See maintenance access height (MAH) below.



CABINET

Working Chamber Size Ergonomic Configuration

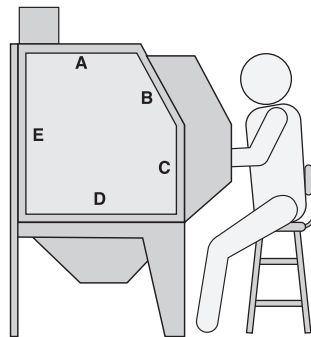
50" wide (1270 mm)
39" deep (991 mm)*
43" high (1092 mm)
*(for Ergo models add 12 inches to depth)

Window Size (safety glass)

19.5" wide (495 mm)
12.5" high (318 mm)

Door Dimensions

A. 27" (686mm)
B. 20.5" (521mm)
C. 19.5" (495mm)
D. 36.5" (927mm)
E. 38" (965mm)



DUST COLLECTORS

ZERO RP dust collectors trap 99.7% of dust particles down to 0.5 micron.

CDC-1

CDC-1 dust collectors come in three sizes; 300 cfm, 600 cfm, and 900 cfm. The cartridges are pulse-cleaned by pressing the manual pulse-valve to clear the filter of dust. Dimensions are 34" wide, 42" deep (with motor housing) and 94" high. MAH is 11 ft for the 300 cfm and 600 cfm units and 12-1/2 ft for the 900 cfm unit.

RPC-2

The RPC-2 has two cartridges which provide 470 sq ft of filter area. The cartridges are automatically pulse-cleaned for maximum filter efficiency. Dimensions are: 56" wide (with motor housing) by 30" deep by 67.5" high. The MAH for the RPC-2 series is 8 ft 10 inches.

RPH-2

The RPH-2 has a filter area of 470 sq ft; the RPH-3 has a 705 sq ft filter area. Both have a built-in hopper to minimize dust-handling. At each pulse, dust falls first into the hopper and then into a disposal drum or bag beneath it. The operator never handles the dust—an important safety feature. RPH dust collector dimensions are: 56" wide (with motor housing) by 36" deep by 115" high. The RPH is designed to allow outdoor installation. The MAH for the RPH collectors is 15 ft 2 inch.

ISO 9001 certified. Clemco is committed to continuous product improvement. Specifications are subject to change without notice.

© 2016 Clemco Industries Corp. • Washington, MO 63090 • 636 239-4300 • FAX 800 726-7559

Stock No.: 20009

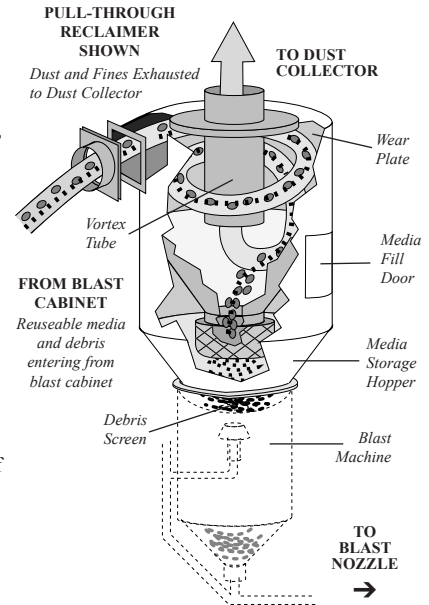
info@clemcoindustries.com • www.clemcoindustries.com

BLAST/ RECLAIM SYSTEM

Our exclusive media reclaimers continuously extract dust and debris and return properly sized, usable media to the blast system. The standard reclaimer handles all non-metallic media. For metallic media, choose from the two PM models below.

The reclaimer, mounted atop the pressure vessel, automatically refills the blast system with clean, recycled media.

The versatile design of our larger reclaimers lets you quickly adapt the system to your changing needs.



METALLIC MEDIA

For steel media applications, the reclaimer, flex hose, and adaptors must be appropriately sized. Rubber curtains are recommended. "M" in cabinet model signifies cabinet is steel-ready (see below). Contact your local distributor for field conversion information.

NOZZLES

AIR REQUIREMENTS

NOZZLE	NOZZLE ORIFICE	CFM at 80 PSI	M ³ /Min at 5,5 BAR	CFM at 100 PSI	M ³ /Min at 7 BAR
No. 3	3/16"	38	1,08	45	1,3

BNP-220 cabinets come with a No. 3 tungsten carbide nozzle.

ELECTRICAL

900 CFM (25 m³/m) 2HP, 220V, 3PH, 60HZ, (1.5KW, 220V, 3PH, 50HZ);
(For three phase motors, specify 230v or 460v.)

ORDERING INFORMATION

Model-Recl-D/C	Conv. Three Phase	Ship Wt. lb (kg)	Ergo Three Phase	Ship Wt. lb (kg)
BNP-220P-900 CDC-1	28169	1,445 (655)	28376	1,445 (655)
BNP-220P-900 RPC-2	19971	1,815 (823)	25061	1,815 (823)
BNP-220P-900 RPH-2	24193	2,265 (1027)	25040	2,265 (1027)
BNP-220PM-900 CDC-1	28170	1,445 (655)	28377	1,490 (676)
BNP-220PM-900 RPC-2	27454	1,815 (823)	27456	1,770 (802)
BNP-220PM-900 RPH-2	27455	2,265 (1027)	27457	2,345 (1064)

Authorized Distributor:



Fortune Metal Finishing Corp.
116 Gould Street
Needham Heights, MA 02494
866.449.4160
sales@fortunemetal.com

0991 Rev. I, 04/16