



BNP Double 220 Suction Blast Cabinet



**Clean
Peen
Deburr
Finish**



Model BNP Double 220S-900 RPH-2

BNP blast cabinets deliver efficient, affordable media blasting to clean, peen, deburr, or finish parts.

- Common Applications**
- Remove rust, mill scale, heat scale, and carbon buildup from metals
 - Strip paint, powder coating, plating, and anodizing from parts for rework
 - Eliminate burrs, reduce flashings, and other defects from castings and injection-molded parts
 - Extract residual sand from castings
 - Beautify steel, stainless steel, aluminum, brass and other metals with a uniform matte finish
 - Etch artwork and lettering into glass, stone, plastics, metal and other materials
 - Clean release agents and material buildup from molds

BNP Double 220 Cabinets Feature:

- Safety**
- ✓ Full-length, neoprene-on-fabric gloves resist wear and protect operator.
 - ✓ Safety interlocks interrupt blasting if either door is opened.
- Productivity**
- ✓ Unique Air Logic system (pilot actuated) to maximize air flow to the blast gun.
 - ✓ Two stations provide easy access to blast from either side or both sides simultaneously.
 - ✓ Ceiling-mounted, two-tube fluorescent light fixtures with abrasive resistant Lexan® cover for extraordinary visibility.
 - ✓ 14-gauge steel all-welded construction, with precisely formed bends, forms a rigid, long-lasting cabinet shell.
 - ✓ Double suction-blast cabinet features two blast guns as standard.
- Convenience**
- ✓ Tilt-out window, for tool-free glass changes in minutes.
 - ✓ Double-wall, sound-insulated doors, with industrial-quality lift-off hinges.
 - ✓ Pressure regulator, gauge, and electric switch mounted within easy reach.
 - ✓ Built-in blow-off gun helps keep dust inside the cabinet, not on your floor.

BNP Blast Gun with Ceramic Nozzle

The BNP blast gun sets the industry standards for performance, versatility, and durability. The ergonomic grip reduces operator fatigue and increases productivity. The standard ceramic nozzle is perfect for bead blasting, while the optional tungsten or boron carbide nozzles stand up to hundreds of hours of blasting with today's aggressive abrasives.

Popular Accessories

- A-300 automation kit
- Adjustable gun mount
- Adjustable vortex tube
- Air-powered vertical lift door
- Alox Kit (for harsh media)
- Anti-fatigue mat
- Arm rest assembly
- Curtains (black or white)
- HEPA filter
- Manometer kit
- Noise reduction arm port baffles
- Timed door interlocks
- Two gallon tumble basket
- 20" & 30" dia. turntables with or without work car and 8 foot track extension

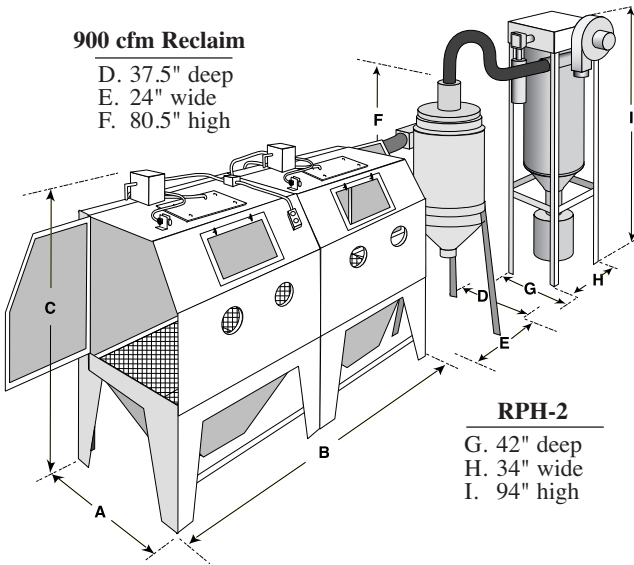
S P E C I F I C A T I O N S

COMPLETE SYSTEM

Space required depends on configurations, options and work flow. Allow space for operator and maintenance access. See maintenance access height (MAH) below.

900 cfm Reclaim

- D. 37.5" deep
- E. 24" wide
- F. 80.5" high



RPH-2

- G. 42" deep
- H. 34" wide
- I. 94" high

BNP Dbl 220S

- A. 40.5" deep
- B. 106" wide
- C. 83.5" high

Model illustrated: BNP Dbl 220-900 CDC-1
900 CFM Reclaimer (free standing) and CDC-1 collector

CABINET

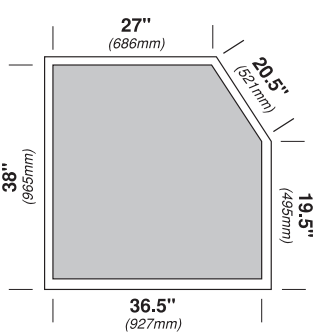
Working Chamber Size

- 103" wide (2616 mm)
- 39" deep (991 mm)
- 43" high (1092 mm)

Window Size (safety glass)

- 19.5" wide (495 mm)
- 12.5" high (318 mm)

Door Opening



DUST COLLECTORS

ZERO RP dust collectors trap 99.7% of dust particles down to 0.5 micron.

CDC-1

CDC-1 dust collectors come in three sizes; 300 cfm, 600 cfm, and 900 cfm. The cartridges are pulse-cleaned by pressing the manual pulse-valve to clear the filter of dust. Dimensions are 34" wide, 42" deep (with motor housing) and 94" high. MAH is 11 ft for the 300 cfm and 600 cfm units and 12-1/2 ft for the 900 cfm unit.

RPH-2

The RPH-2 has a filter area of 470 sq ft; the RPH-3 has a 705 sq ft filter area. Both have a built-in hopper to minimize dust-handling. At each pulse, dust falls first into the hopper and then into a disposal drum or bag beneath it. The operator never handles the dust—an important safety feature. RPH dust collector dimensions are: 56" wide (with motor housing) by 36" deep by 115" high. The RPH is designed to allow outdoor installation. The MAH for the RPH collectors is 15 ft 2 inch.

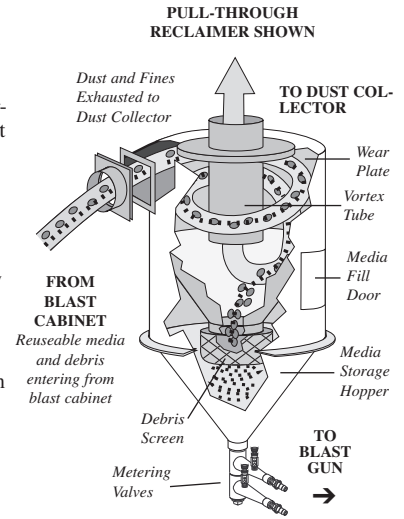
ISO 9001 certified. Clemco is committed to continuous product improvement. Specifications are subject to change without notice.

MEDIA RECLAIMERS

Our exclusive media reclaimers continuously extract dust and debris and return properly sized, usable media to the blast system. The standard reclaimer handles all non-metallic media. For metallic media specify reduced ID conveying hose.

The versatile design of our larger reclaimers lets you quickly adapt the system to your changing needs.

The suction blast metering valve is infinitely adjustable from fully-closed to wide open, and locks into any setting without tools.



METALLIC MEDIA

For steel media applications, the reclaimer, flex hose, and adaptors must be appropriately sized. For a quotation for a steel-ready model or field conversion, contact your local distributor.

BNP BLAST GUN

AIR CONSUMPTION

BNP GUN	NOZZLE ORIFICE	AIR JET	CFM at 80 PSI	M ³ /Min at 5,5 BAR	MINIMUM RECLAIMER
No. 4	5/16"	1/8"	21	0,60	900 CFM (25 m ³ /m)
No. 5	5/16"	5/32"	32	0,90	900 CFM (25 m ³ /m)
No. 6	3/8"	3/16"	48	1,35	900 CFM (25 m ³ /m)

BNP Dbl 220 suction cabinets are furnished with two No. 5 BNP guns.

ELECTRICAL

900 CFM (25 m³/m) 2HP, 230V, 3PH, 60HZ, (1.5KW, 220V, 3PH, 50HZ)
(Specify 230 v or 460 v.)

ORDERING INFORMATION

Model Number	Reclaim CFM (m ³ /m)	Dust Collection	Stock Number	Ship Wt. lb (kg)
BNP Dbl 220S-900 CDC	900 (25)	CDC-1	28390	1,745 (792)
BNP Dbl 220S-900 RPH	900 (25)	RPH-2	21157	2,600 (1199)

Distributed By:

Authorized Distributor:



Fortune Metal Finishing Corp.
116 Gould Street
Needham Heights, MA 02494
866.449.4160
sales@fortunemetal.com