



# BNP Double 65 Pressure Blast Cabinet



BNP Double 65P with CDC dust collector

**Clean  
Peen  
Deburr  
Finish**



*For tough cleaning jobs, pressure blasting delivers higher abrasive velocity for greater impact intensity, compared to suction blasting, and can increase your production rate by as much as 300 percent.*

## Common Applications

- Remove rust, mill scale, heat scale, and carbon buildup from metals
- Strip paint, powder coating, plating, and anodizing from parts for rework
- Eliminate burrs, reduce parting lines, remove flashings and other defects from castings and injection-molded parts
- Extract residual sand from castings
- Beautify steel, stainless steel, aluminum, brass and other metals with a uniform matte finish
- Etch artwork and lettering into glass, stone, plastics, metal and other materials
- Clean release agents and material buildup from molds

## BNP Double 65 Pressure Cabinets Feature: Safety

- ✓ Full-length, neoprene-on-fabric gloves resist wear and protect operator.
- ✓ Safety interlocks interrupt blasting if either door is opened.

## Productivity

- ✓ Two stations for one blast operator provide easy access to blast from either station to accommodate large or complex parts. One nozzle and foot pedal are standard. For a cabinet equipped for two operators, contact your local distributor.
- ✓ High efficiency, 2.0 cubic foot capacity, ASME-coded pressure vessel, fitted with 1" ID piping, industrial-quality blast hose and couplings and cabinet integrated controls.
- ✓ Unique Air-Logic system (pilot-actuated) to maximize air flow to the nozzle.
- ✓ Ceiling-mounted, two-tube fluorescent light fixture with abrasive resistant Lexan® cover for extraordinary visibility.
- ✓ 14-gauge steel all-welded construction, forms a rigid, long-lasting cabinet shell.

## Convenience

- ✓ Tilt-out window, for tool-free glass changes in minutes.
- ✓ Double-wall, sound-insulated doors on both ends, industrial-quality lift-off hinges.
- ✓ Pressure regulator, gauge, air and electric switch mounted within easy reach.
- ✓ Built-in blow-off gun helps keep dust inside the cabinet.

## Tungsten Carbide Blast Nozzle

The standard No. 3 tungsten carbide nozzle is perfect for most blasting, while an optional boron carbide nozzle stands up to hundreds of hours of blasting with aluminum oxide or other aggressive media.

## Popular Accessories

- Adjustable gun mount
- Adjustable vortex tube (for lightweight media)
- Air-powered vertical lift door
- Alox kit (for harsh media)
- Anti-fatigue mat
- Arm rest assembly
- Curtains (black or white)
- HEPA filter
- Manometer kit
- Noise reduction armport baffles
- Timed door release
- 20" and 30" Dia. Turntables with or without work car and 8 ft rack assembly

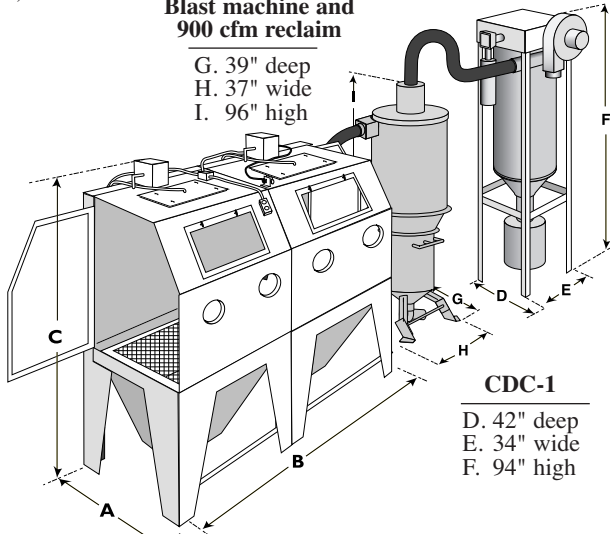
# S P E C I F I C A T I O N S

## COMPLETE SYSTEM

Space required depends on configurations, options and work flow. Allow space for operator and maintenance access. See maintenance access height (MAH) below.

### Blast machine and 900 cfm reclaim

G. 39" deep  
H. 37" wide  
I. 96" high



### CDC-1

D. 42" deep  
E. 34" wide  
F. 94" high

### BNP DBL 65P

A. 36.5" deep  
B. 76" wide  
C. 79" high

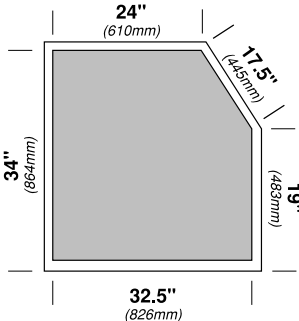
Model illustrated: BNP Dbl 65P-900 CDC-1

## CABINET

### Working Chamber Size

73" wide (1828 mm)  
35" deep (889 mm)  
37" high (940 mm)

### Door Opening



### Window Size (safety glass)

19.5" wide (495 mm)  
12.5" high (318 mm)

## DUST COLLECTORS

ZERO RP dust collectors trap 99.7% of dust particles down to 0.5 micron.

### CDC-1

CDC-1 dust collectors come in three sizes; 300 cfm, 600 cfm, and 900 cfm. The cartridges are pulse-cleaned by pressing the manual pulse-valve to clear the filter of dust. Dimensions are 34" wide, 42" deep (with motor housing) and 94" high. MAH is 11 ft for the 300 cfm and 600 cfm units and 12-1/2 ft for the 900 cfm unit.

### RPC-2

The RPC-2 has two cartridges which provide 470 sq ft of filter area. The cartridges are automatically pulse-cleaned for maximum filter efficiency. Dimensions are: 56" wide (with motor housing) by 30" deep by 67.5" high. The MAH for the RPC-2 series is 8 ft 10 inches.

### RPH-2

The RPH-2 has a filter area of 470 sq ft; the RPH-3 has a 705 sq ft filter area. Both have a built-in hopper to minimize dust-handling. At each pulse, dust falls first into the hopper and then into a disposal drum or bag beneath it. The operator never handles the dust—an important safety feature. RPH dust collector dimensions are: 56" wide (with motor housing) by 36" deep by 115" high. The RPH is designed to allow outdoor installation. The MAH for the RPH collectors is 15 ft 2 inches.

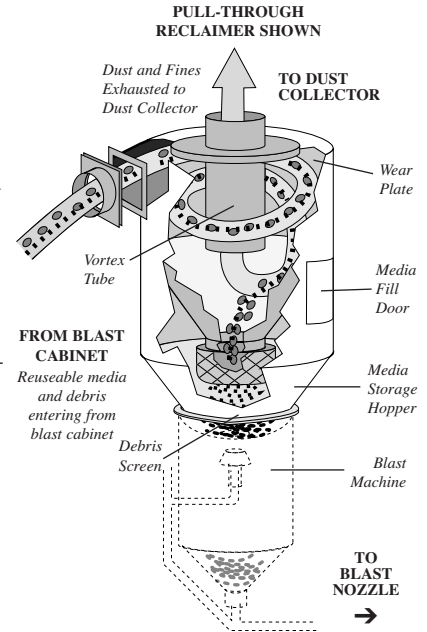
Clemco is committed to continuous product improvement. Specifications are subject to change without notice. ISO 9001 certified.

## BLAST/ RECLAIM SYSTEM

Our exclusive media reclaimers continuously extract dust and debris and return properly sized, usable media to the blast system. The standard reclaimer handles all non-metallic media. For metallic media specify reduced ID conveying hose.

The versatile design of our larger reclaimers lets you quickly adapt the system to your changing needs.

The reclaimer, mounted atop the blast machine, automatically refills the blast system with clean, recycled media.



## METALLIC MEDIA

For steel media applications, the reclaimer, flex hose, and adaptors must be appropriately sized. Rubber curtains are recommended. "M" in cabinet model signifies cabinet is steel-ready (see below). Contact your local distributor for field conversion information.

## NOZZLES

### AIR REQUIREMENTS

NOZZLE	NOZZLE ORIFICE	CFM at 80 PSI	M <sup>3</sup> /Min at 5,5 BAR	CFM at 100 PSI	M <sup>3</sup> /Min at 7 BAR
No. 3	3/16"	38	1,08	45	1,3

BNP Double-220 pressure cabinets come with a No. 3 tungsten carbide nozzle.

## ELECTRICAL

900 CFM (25 m<sup>3</sup>/m) 2HP, 230V, 3PH, 60HZ (1.5KW, 220V, 3PH, 50HZ); (Available with three phase motors only, specify 230v or 460v.)

## ORDERING INFORMATION

Model Number	Dust Collection	Reclaim CFM (m <sup>3</sup> /m)	Stock Number	Ship Wt. lb (kg)
BNP Dbl 65P-900 CDC	CDC-1	900 (25)	28389	1,585 (719)
BNP Dbl 65P-900 RPC	RPC-2	900 (25)	12615	1,885 (855)
BNP Dbl 65PM-1200	RPH-3	1200 (34)	27459	2,890 (1311)

Distributed By:

Authorized Distributor:



**Fortune Metal Finishing Corp.**  
116 Gould Street  
Needham Heights, MA 02494  
866.449.4160  
sales@fortunemetal.com