



# BNP 65 Suction Blast Cabinet



Model BNP 65S

Ergonomic Model BNP 65 SE



**Clean  
Peen  
Deburr  
Finish**



*BNP blast cabinets deliver efficient, affordable media blasting to clean, peen, deburr, or finish parts. Available in conventional and ergonomic sit-down styles.*

## Common Applications

- Remove rust, mill scale, heat scale, and carbon buildup from metals
- Strip paint, powder coating, plating, and anodizing from parts for rework
- Eliminate burrs, parting lines, flashings, and other defects from castings and injection-molded parts
- Extract residual sand from castings
- Beautify steel, stainless steel, aluminum, brass and other metals with a uniform matte finish
- Etch artwork and lettering into glass, stone, plastics, metal and other materials
- Clean release agents and material buildup from molds

## BNP 65 Cabinets Feature:

### Safety

- ✓ Full-length, neoprene-on-fabric gloves resist wear and protect operator.
- ✓ Ceiling-mounted, two-tube fluorescent light fixture with abrasive resistant Lexan® cover for extraordinary visibility.
- ✓ Safety interlocks interrupt blasting if either door is opened.
- ✓ Adjustable, heavy-duty chromed latches seal doors tight through years of service.

### Productivity

- ✓ Unique Air Logic system (pilot actuated) to maximize air flow to the blast gun.
- ✓ Double-wall, sound-insulated doors, with industrial-quality lift-off hinges.
- ✓ 14-gauge steel all-welded construction, with precisely formed bends, forms a rigid, long-lasting cabinet shell.

### Convenience

- ✓ Tilt-out window, for tool-free glass changes in minutes.
- ✓ Pressure regulator, gauge, and electric switch mounted within easy reach.
- ✓ Built-in blow-off gun helps keep dust inside the cabinet, not on your floor.

## BNP Blast Gun with Ceramic Nozzle

The BNP blast gun sets the industry standard for performance, versatility, and durability. The ergonomic grip reduces operator fatigue and increases productivity. The standard ceramic nozzle is perfect for bead blasting, while the optional tungsten or boron carbide nozzles stand up to hundreds of hours of blasting with today's aggressive abrasives.

## Popular Accessories

- Adjustable gun mount
- Adjustable vortex tube
- Alox Kit (for harsh media)
- Air-powered vertical lift door
- Anti-fatigue mat
- Arm rest assembly
- Curtains (black or white)
- HEPA filter
- Manometer kit
- Noise reduction arm port baffles
- Timed door release
- Two gallon tumble basket
- 20" and 30" dia. turntables with or without work car and 8 foot track extension

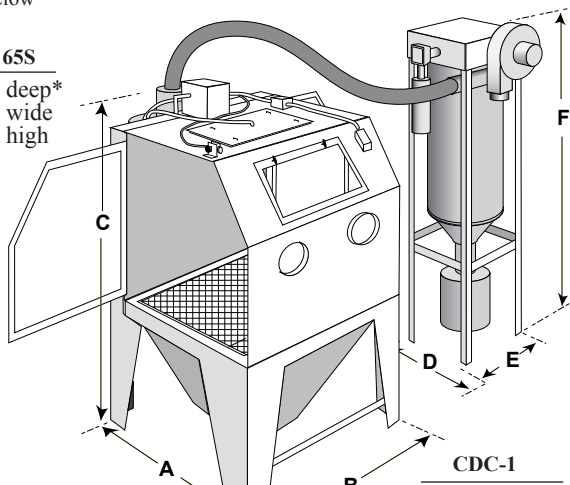
# S P E C I F I C A T I O N S

## COMPLETE SYSTEM

Space required depends on configurations, options and work flow. Allow space for operator and maintenance access. See maintenance access height (MAH) below

### BNP 65S

- A. 55" deep\*
- B. 42" wide
- C. 79" high



\*(includes rear-mounted reclaimer)

- D. 42" deep
- E. 34" wide
- F. 94" high

BNP-65S-600 CDC-1 with 600 cfm reclaimer

## CABINET

### Working Chamber Size

- 36" wide (914 mm)
- 35" deep (889 mm)\*
- 37" high (940 mm)

\*(for Ergo models add 12 inches to depth)

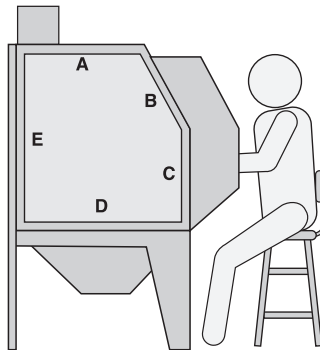
### Window Size (safety glass)

- 19.5" wide (495 mm)
- 12.5" high (317 mm)

### Door Dimensions

- A. 24" (610mm)
- B. 17.5" (445mm)
- C. 19" (483mm)
- D. 32.5" (826mm)
- E. 34" (864mm)

### Ergonomic Configuration



## DUST COLLECTORS

ZERO RP dust collectors trap 99.7% of dust particles down to 0.5 micron.

### CDC-1

CDC-1 dust collectors come in three sizes; 300 cfm, 600 cfm, and 900 cfm. The cartridges are pulse-cleaned by pressing the manual pulse-valve to clear the filter of dust. Dimensions are 34" wide, 42" deep (with motor housing) and 94" high. MAH is 11 ft for the 300 cfm and 600 cfm units and 12-1/2 ft for the 900 cfm unit.

### RPC-2

The RPC-2 has two cartridges which provide 470 sq ft of filter area. The cartridges are automatically pulse-cleaned for maximum filter efficiency. Worn cartridges can be replaced in minutes. Dimensions: 56" wide (with motor housing) by 30" deep by 67.5" high. MAH for the RPC-2 series is 8 ft 10 inches.

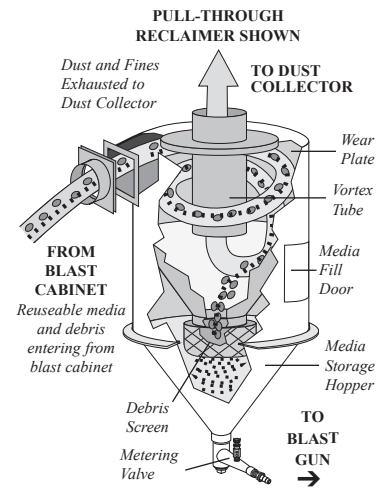
ISO 9001 certified. Clemco is committed to continuous product improvement. Specifications are subject to change without notice.

## MEDIA RECLAIMERS

Our exclusive media reclaimers continuously extract dust and debris and return properly sized, usable media to the blast system. The standard reclaimer handles all non-metallic media. Metallic media calls for special equipment considerations.

The suction blast metering valve is infinitely adjustable from fully-closed to wide open, and locks into any setting without tools.

The versatile design of our reclaimers let you quickly adapt the system to your changing needs.



## METALLIC MEDIA

For steel media applications, the reclaimer, flex hose, and adaptors must be appropriately sized. Rubber curtains are recommended. "M" in cabinet model signifies cabinet is steel-ready (see below). Contact your local distributor for field conversion information.

## BNP BLAST GUN

### AIR CONSUMPTION

BNP GUN	NOZZLE ORIFICE	AIR JET	CFM at 80 PSI	M <sup>3</sup> /Min at 5,5 BAR	MINIMUM RECLAIMER
No. 4	5/16"	1/8"	21	0,60	300 CFM (8,5 m <sup>3</sup> /m)
No. 5	5/16"	5/32"	32	0,90	300 CFM (8,5 m <sup>3</sup> /m)
No. 6	3/8"	3/16"	48	1,35	600 CFM (17 m <sup>3</sup> /m)
No. 7	7/16"	7/32"	62	1,76	600 CFM (17 m <sup>3</sup> /m)
No. 8	1/2"	1/4"	85	2,41	600 CFM (17 m <sup>3</sup> /m)

BNP 65 cabinets come standard with a No. 5 BNP gun. Consult distributor for advice regarding appropriate recovery size.

## ELECTRICAL

300 CFM (8,5 m<sup>3</sup>/m) 1/2HP, 115V, 1PH, 60HZ, (.37KW, 220V, 1PH, 50HZ)  
 600 CFM (17 m<sup>3</sup>/m) 1HP, 115V, 1PH, 60HZ, (.75KW, 220V, 1PH, 50HZ)  
 (600 CFM model is also available with three phase motor. Specify 230v or 460v.)  
 900 CFM (25 m<sup>3</sup>/m) 2HP, 220V, 3PH, 60HZ, (1.5KW, 220V, 3PH, 50HZ)

## ORDERING INFORMATION

Model-Recl-D/C	Conv. Conv.		Ship Wt. lb (kg)	Ergo Ergo		Ship Wt. lb (kg)
	Single Phase	Three Phase		Single Phase	Three Phase	
BNP-65S-300 CDC	28091		765 (347)	28171		765 (347)
BNP-65S-600 CDC	28092	28093	850 (386)	28172	28173	850 (386)
BNP-65S-600 RPC	19950	19952	1,180 (535)	25050	25051	1,180 (535)
BNP-65SM-900 CDC	28414		1000 (454)	28415		1000 (454)

### Authorized Distributor:



**Fortune Metal Finishing Corp.**  
 116 Gould Street  
 Needham Heights, MA 02494  
 866.449.4160  
 sales@fortunemetal.com