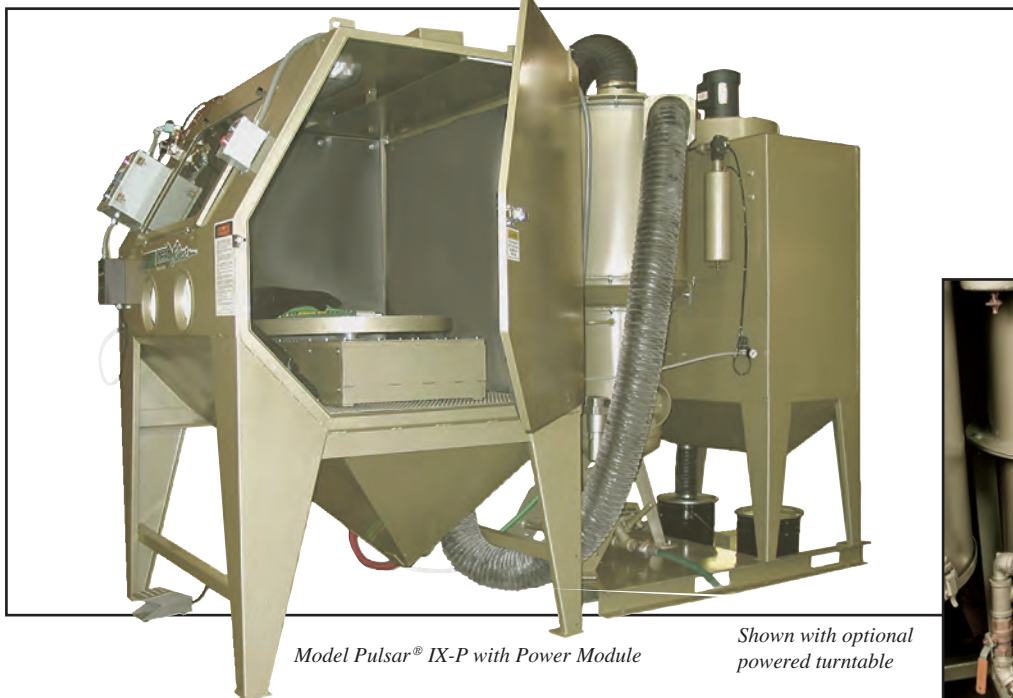


PULSAR® IX Pressure Blast Cabinet



Model Pulsar® IX-P with Power Module

Shown with optional
powered turntable

Pressure Blast Machine

**Clean
Peen
Deburr
Finish**



Pulsar® IX Features:

Safety

- ✓ Work surface flush with door sill for easier access
- ✓ Full-length, neoprene-on-fabric gloves resist wear and protect operator
- ✓ Ceiling-mounted, fluorescent light fixture with abrasive resistant Lexan® cover for extraordinary visibility
- ✓ Safety interlocks interrupt blasting if either door is opened (Conforms to US regulations)
- ✓ Adjustable, heavy-duty chromed latches seal doors tight through years of service

Productivity

- ✓ High efficiency, 2.0 cu ft capacity, ASME-coded vessel, fitted with 1" piping, industrial blast hose, couplings and integrated controls
- ✓ Timed dust collector auto-pulse feature allows pulse adjustments suited to the application
- ✓ Unique Air Logic system (pilot actuated) to maximize air flow to the blast gun
- ✓ Double-wall, sound-insulated doors, with industrial-quality lift-off hinges
- ✓ 14-gauge steel all-welded construction forms a rigid, long-lasting, cabinet shell
- ✓ Large 20" x 30" window

Convenience

- ✓ Tilt-out window, for tool-free glass changes in minutes
- ✓ Pressure regulator, gauge, and electric switch mounted within easy reach
- ✓ Built-in blow-off gun helps keep dust inside the cabinet, not on your floor

Power Module Features:

- ✓ Handles steel grit (G80 and finer) and steel shot (S-170 and finer)
- ✓ Standard reclaim wear plate
- ✓ Dual cartridges swing out for ease of replacement
- ✓ Full access to blast machine for servicing
- ✓ Adjustable vortex tube
- ✓ HEPA filter ready
- ✓ Skid mounted components

Common Applications

- Remove rust, mill scale, heat scale, and carbon buildup from metals
- Strip paint, powder coating, plating, and anodizing from parts for rework
- Eliminate defects from castings and injection-molded parts
- Beautify metal surfaces
- Etch a wide variety of materials
- Clean release agents and material buildup from molds
- Extract residual sand from castings

Tungsten Carbide Blast Nozzle

The standard No. 3 tungsten carbide nozzle is perfect for most blasting, while optional boron carbide nozzles stand up to hundreds of hours of blasting with aluminum oxide or other harsh abrasives. The cabinet's blast and recovery systems can support up to a No. 6 (3/8-inch) nozzle.

Authorized Distributor:



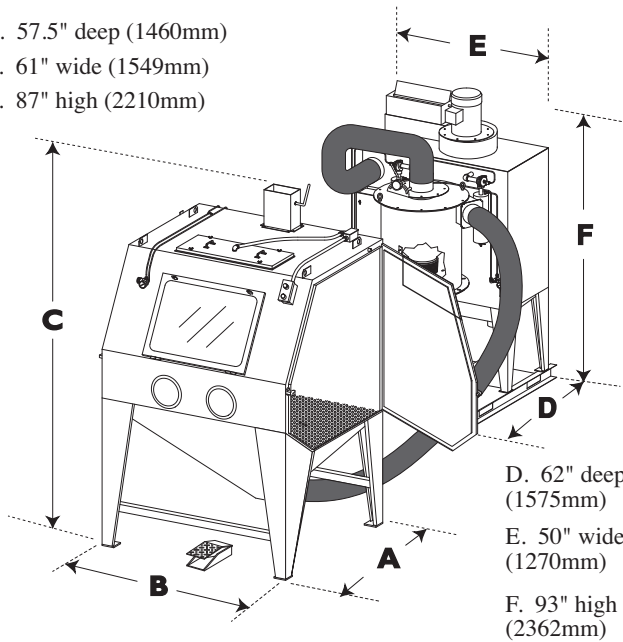
Fortune Metal Finishing Corp.
116 Gould Street
Needham Heights, MA 02494
866.449.4160
sales@fortunemetal.com

S P E C I F I C A T I O N S

PULSAR® PRESSURE SYSTEM

Actual Space required depends on equipment configurations, options and desired work flow. Allow additional work space for operator and maintenance access.

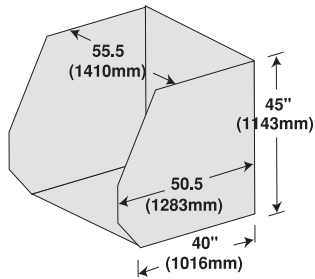
- A. 57.5" deep (1460mm)
- B. 61" wide (1549mm)
- C. 87" high (2210mm)



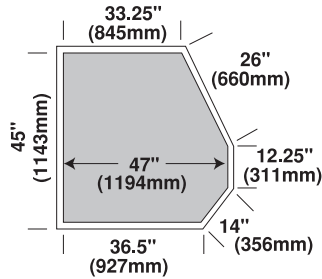
- D. 62" deep (1575mm)
- E. 50" wide (1270mm)
- F. 93" high (2362mm)

CABINET

Working Chamber Size



Door Opening



Door interlock system conforms to U.S. government regulations.

Window Size (safety glass)

30" wide (762mm) 20" high (508mm)

DUST COLLECTOR

Reverse-pulse cartridge dust collectors (which trap 99.7% of dust down to 0.5 micron) allow non-stop, high-production blasting. The polyester-cellulose cartridges are automatically pulse cleaned for maximum filter efficiency. Worn cartridges can be replaced in minutes. Timer-controlled auto-pulse is standard.

Reverse Pulse Collector Cartridge

208 sq ft filter area per cartridge; RP-2 has two cartridges (416 sq ft)

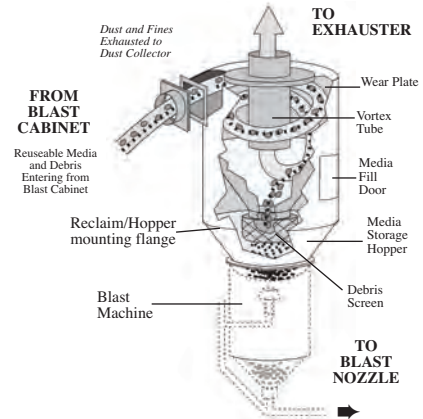
Clemco is committed to continuous product improvement. Specifications are subject to change without notice. ISO 9001 certified.

BLAST/RECLAIM SYSTEM

The Heart of ZERO's Blasting System

Our exclusive media reclaimers continuously extract dust and debris and return properly sized, usable media to the blast system. The standard reclaimer handles most media.

The reclaimer, mounted atop the pressure vessel, automatically re-fills the blast system with clean, recycled media.



NOZZLES

AIR CONSUMPTION

SIZE	NOZZLE ORIFICE	CFM at 80 PSI	M ³ /Min at 5,5 BAR	CFM at 100 PSI	M ³ /Min at 7 BAR
No. 3	3/16"	38	1,08	45	1,3
No. 4	1/4"	68	1,93	81	2,3
No. 5	5/16"	113	3,20	137	4.0

Cabinets are furnished with a No. 3 tungsten carbide nozzle.

Reclaimer Flow Rate

Nominal 900 cfm

ELECTRICAL

2HP, 220/440V, 3PH, 60HZ, (1.5KW, 220V, 3PH, 50HZ)

ORDERING INFORMATION

Model	Stock No.	Shipping Weight
Pulsar® IX-P blast cabinet with power module	23250	2,035 lb (925kg)

POPULAR ACCESSORIES

- Adjustable Gun Mount
- Air-powered Vertical Lift Door
- Alox Kit
- Curtains (black or white)
- HEPA filter
- Manometer Kit
- Oscillator Assembly
- Pass-through Doors
- Timed Door Release
- 40-inch Diameter Turntable
- Two Gallon Tumble Basket
- Work Car & Track Assembly

Distributed By:

Authorized Distributor:



Fortune Metal Finishing Corp.
 116 Gould Street
 Needham Heights, MA 02494
 866.449.4160
 sales@fortunemetal.com