

VibraHone™ FSV Series Parts List

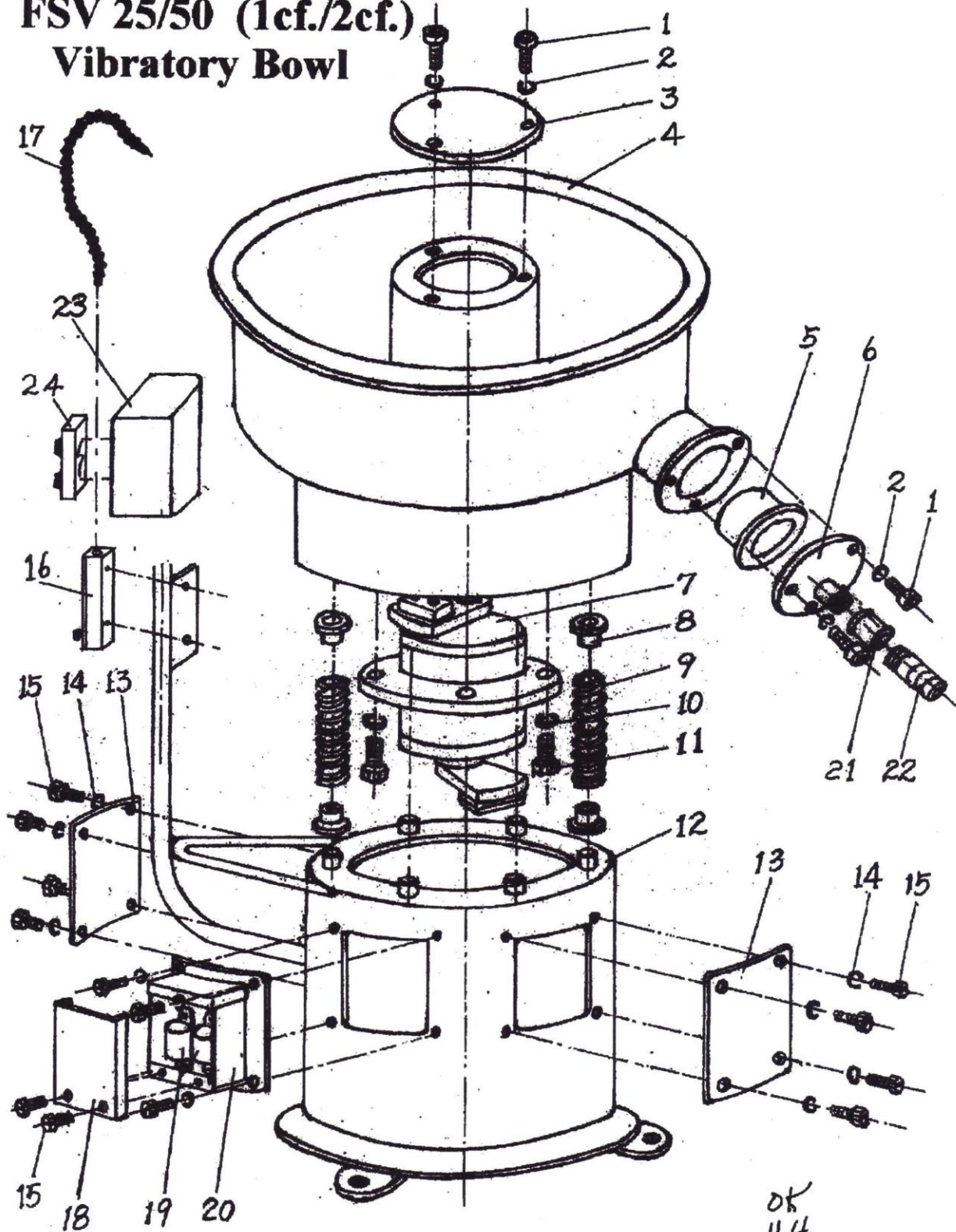
Part No.	Name	Quantity
FSV25/50-01	M8x25 Socket head cap screw	6
FSV25/50-02	M8 Lock washer	6
FSV25-03	Motor cover	1
FSV50-03	Motor cover	1
FSV25-04	1 cf./ 25 lt. Bowl	1
FSV50-04	2 cf./ 50 lt. Bowl	1
FSV25-05-1	Drain grid (solid plug)	1
FSV25-05-2	Drain grid (2.5x6mm opening)	1
FSV25-05-3	Drain grid (special order opening)	1
FSV50-05-1	Drain grid (solid plug)	1
FSV50-05-2	Drain grid (2.5x6mm opening)	1
FSV50-05-3	Drain grid (special order opening)	1
FSV25/50-06	Drain cover plate	1
FSV25/50-07-1	Vibratory motor 110 volts	1
FSV25/50-07-2	Vibratory motor 230 Volts	1
FSV25/50-08	Urethane spring mount	12
FSV25-09	Coil spring (44 OD x 6 Dia. x 136 Lg.)	6
FSV50-09	Coil spring (46 OD x 7 Dia. x 136 Lg.)	6
FSV25/50-10	M16 Lock washer	4
FSV25/50-11	M16-1.5 x 60 hex cap screw	4
FSV25-12	Base	1
FSV50-12	Base	1
FSV25/50-13	Base access panel	2
FSV25/50-14	M6 Lock washer	12
FSV25/50-15	M6x10 Slotted hex cap screw	14
FSV25/50-16	Flow meter 0-10 gph.	1
FSV25/50-17	Compound flow tube	1
FSV25/50-18	Cover for electric panel	1
FSV25/50-19	Sinpac/ Start and run capacitor kit	1
FSV25/50-20	Electric box	1
FSV25/50-21	3/4 inch pipe coupling	1
FSV25/50-22	3/4 inch pipe to 3/4 hose barb	1
FSV25/50-23	Box for switch	1
FSV25/50-24	On/Off Internal electric switch	1
FSV25/50-25	110 volt Speed drive (230 v. motor)	1
FSV25/50-26	Stand for VSD models	1

Authorized Distributor:



Fortune Metal Finishing Corp.
116 Gould Street
Needham Heights, MA 02494
866.449.4160
sales@fortunemetal.com

FSV 25/50 (1cf./2cf.) Vibratory Bowl



Authorized Distributor:



Fortune Metal Finishing Corp.
 116 Gould Street
 Needham Heights, MA 02494
 866.449.4160
 sales@fortunemetal.com

OK
 HH
 10-5-12